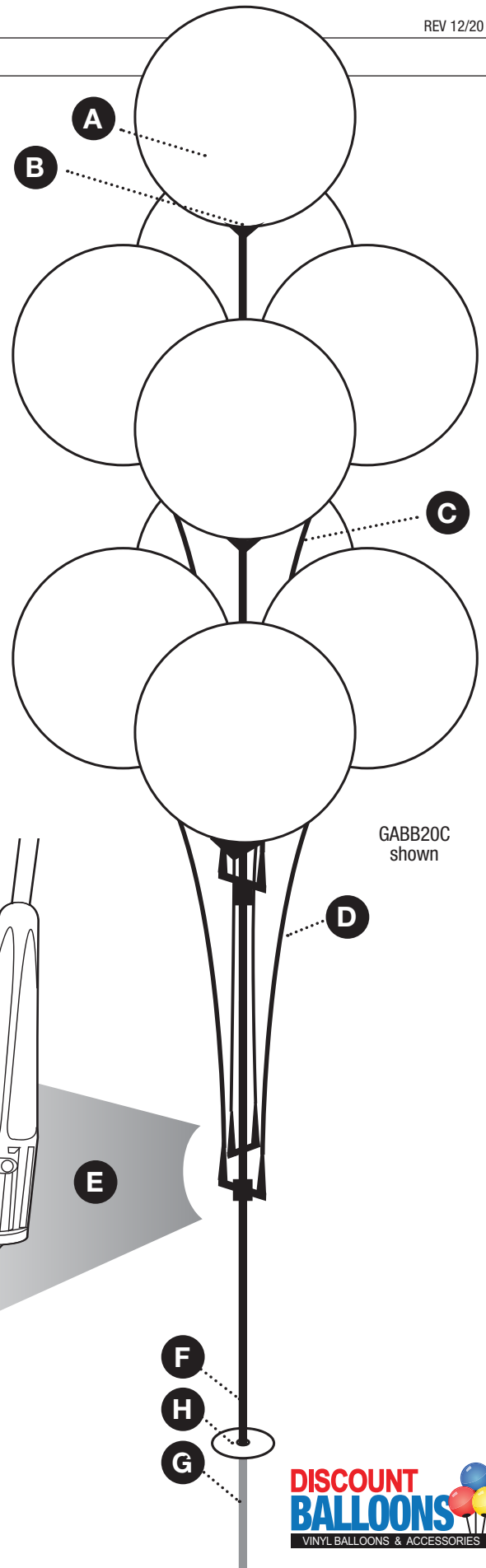


Mega Reusable Vinyl Balloon Cluster

Cluster Kit Includes:

- A. 9 Regular 17" Reusable Vinyl Balloons (*Item GABOBTR*)
- B. 9 Regular Balloon Cups (*Item GABB9*)
- C. 5 40" Regular Balloon Stems (*Item GABB4*)
- D. 4 27" Short Balloon Stems (*Item GABB5*)
- E. 4 Adjustable Branches (*Item ABRANCH*)
- F. 1 Aluminum Black Pole (*Item GABB10*)
- G. 1 26.5" Metal Ground Spike (*Item JAB1*)
- H. 1 Aluminum Plate (*Item GABBPLATE*)

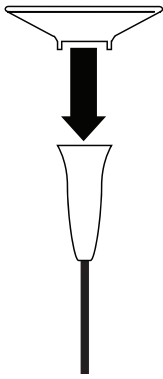


EXCLUSIVE HELIUM-FREE BALLOONS:

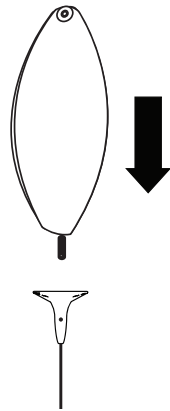
- ★ #1 Traffic Stopper
- ★ Durable for Outdoor Use
- ★ Highest Quality Guaranteed
- ★ Easy Twist-Lock Mechanism
- ★ Guaranteed to last 90 days or your money back



1. Balloon Assembly:



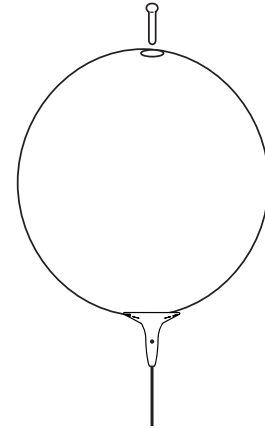
1. Line up the *balloon cup* (B) with the grooves on the side of the corresponding *stem* (C,D). Snap cup into place. Repeat for all the stems.



2. Attach the *balloon* (A) onto the *stem* (C,D) by lining the silver push pin located on the black piece at the bottom of the balloon with the hole on the bottom of the appropriate cup. Lock the balloon in place. Repeat for all balloons.



3. After the *cup* and *stem* are assembled, remove *white air plug* from top of each *balloon* to inflate. Inflate using a hand air pump or an air compressor with a tapered fill nozzle tip.*



4. Reinsert *white air plug* into inflation hole after fully inflated. The maximum diameter should be 17" for the regular balloons. Repeat for all balloons.

**Note: Discount Balloons' Item RCOMPRESSOR is compatible with all of Discount Balloons' reusable balloons.*

Inflation Tips:

For best results, inflate outdoors with an air compressor. **DO NOT OVERINFLATE. BALLOONS MAY BURST AND CAUSE INJURY.** Inflate balloon just to the point where balloons feel tight.

NOTE: A 20° fluctuation in temperature may cause slight deflation.



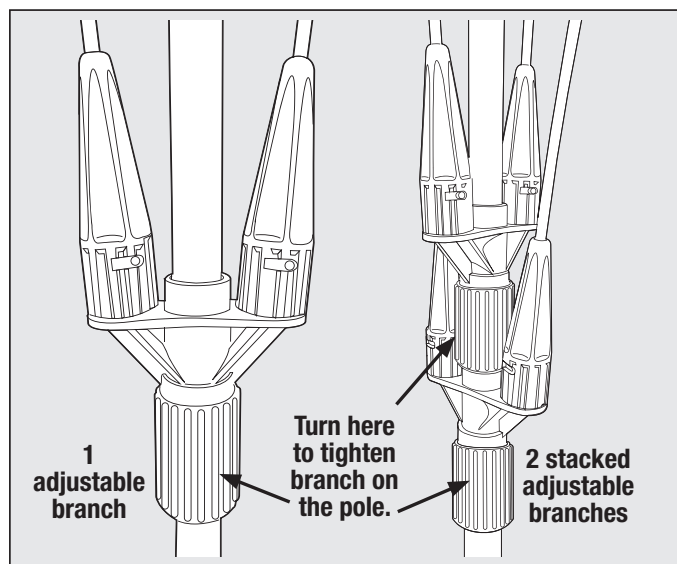
USE EYE PROTECTION WHEN INFLATING!!!

2. Adjustable Branch Assembly:

1. Slide the *adjustable branches* (E) onto the *Black Pole* (F) and twist to the right to secure the location of the branches on the pole.

Installation Tip: Place each set of 2 branches (holds 4 balloons) perpendicular to each other, approximately 3" apart and about 15" away from the next set of adjustable branches.

2. Place the *Balloon* (A) and *stem* (C) onto the *top of the pole* (F). To attach the stem (C) to the pole (F), slide the smaller end of the stem into the grooves on the pole. Twist to lock into place.



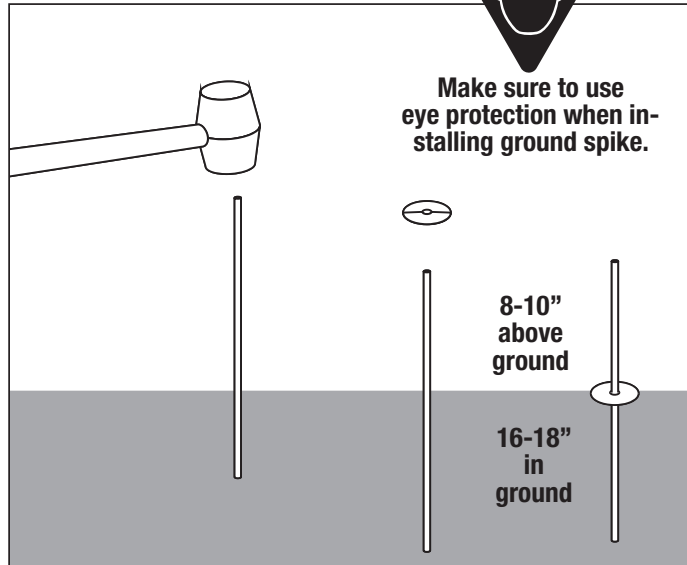
3. Ground Stake Installation:

1. Using a rubber mallet or hammer, pound the *ground spike* (G) into the ground approximately 16-18". Make sure to leave at least 8-10" of the spike visible above ground.

2. Slide the circular *aluminum plate* (H) onto the top of the spike and set it flush with the ground.

Installation Tips:

- Ensure installation of the spike as vertically as possible. Using a rubber mallet is preferred.
- Do not drive spike into rocky ground or hardened soil. If soil is too dry, try soaking the area for a few minutes to soften it.
- Do not install in the way of any sprinkler systems or utility lines.



Don't have a grassy area to install your Cluster?

Discount Balloons' **Item CBASE** is a flat base that can be used on concrete to hold any of our Reusable Vinyl Balloon Clusters. Call for details.

4. Final Assembly:

1. Slide pole with balloon branches attached onto the spike in the ground.

2. Then attach the *balloons* (A) to the *branches* (E), you will slide the *stems* (C,D) into the grooves on the *adjustable branch* (E) and twist to lock it into place. Repeat for all balloons.

Note: Attach the balloons with the longer stems (C) into the top tier of each adjustable branch set and the balloons with the shorter stems (D) into the next tier of branches. Alternate long stems and short stems.

3. Loosen the branches and adjust them up and down to space out the balloons to desired height.

